

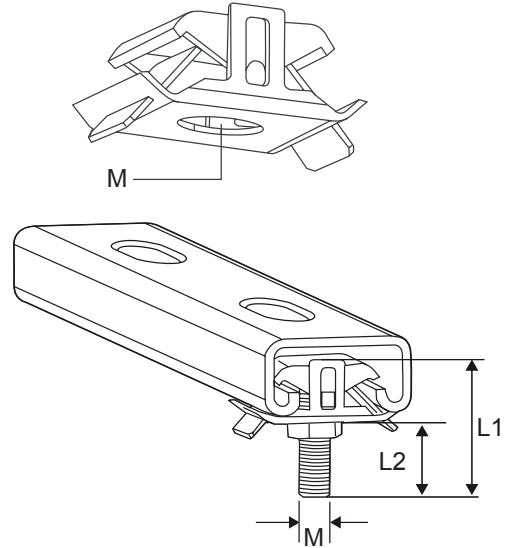


Strut Channel Nut (with and without Threaded Rod and Nut)

Slick

Technical Features

- **Sizes:**
Fast Rail Nut (Only): M8, M10 and M12.
 To fit Strut Channel : 21x41, 41x41, 62x41, 83x41
 and Cantilever Strut: 21x41, 41x41
Fast Rail Nut (Complete): M8x50, M8x90, M10x50 and
 M10x100.
 To fit Strut Channel : 21x41, 41x41, 62x41, 83x41
 and Cantilever Strut: 21x41, 41x41
- **Material :** Carbon steel
- **Finish :** **Fast Rail Nut:** Zinc Phosphate Coating covered by lead-free Cathodic Electrocoat finish



Strut Channel Nut (without Threaded Rod and Nut) - Slick

Physical Data

Thread Size (M)	Box Qty.	Weight (x1) (kg / lbs)	Reference
M8	100	0,03 / 0.07	174340
M10	100	0,03 / 0.07	174350
M12	100	0,03 / 0.07	174550

Strut Channel Nut (with Threaded Rod and Nut) - Slick

Physical Data

Thread Size (M)	Length L1 (mm)	Length L2 (mm)	Box Qty.	Weight (x1) (kg / lbs)	Reference
M8	50	33	100	0,05 / 0.11	174360
M8	90	73	100	0,07 / 0.15	174380
M10	50	33	100	0,06 / 0.13	174410
M10	110	93	100	0,10 / 0.22	174440